

SA17-60-4.7V/1419

Sector Antenna



Key Features

Designed for Tactical Comms

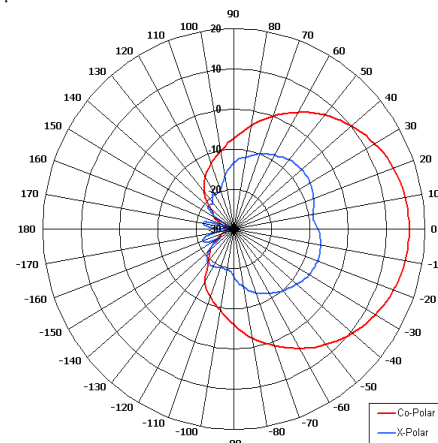
Applications

C-Band Frequency

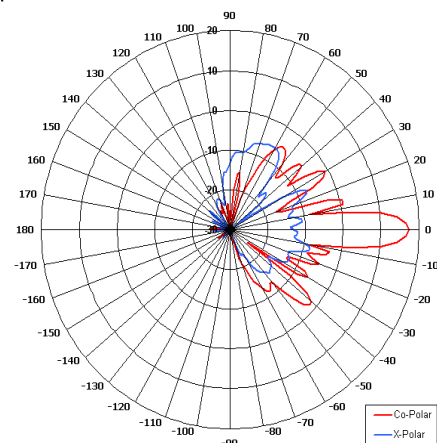
High Gain

Compact

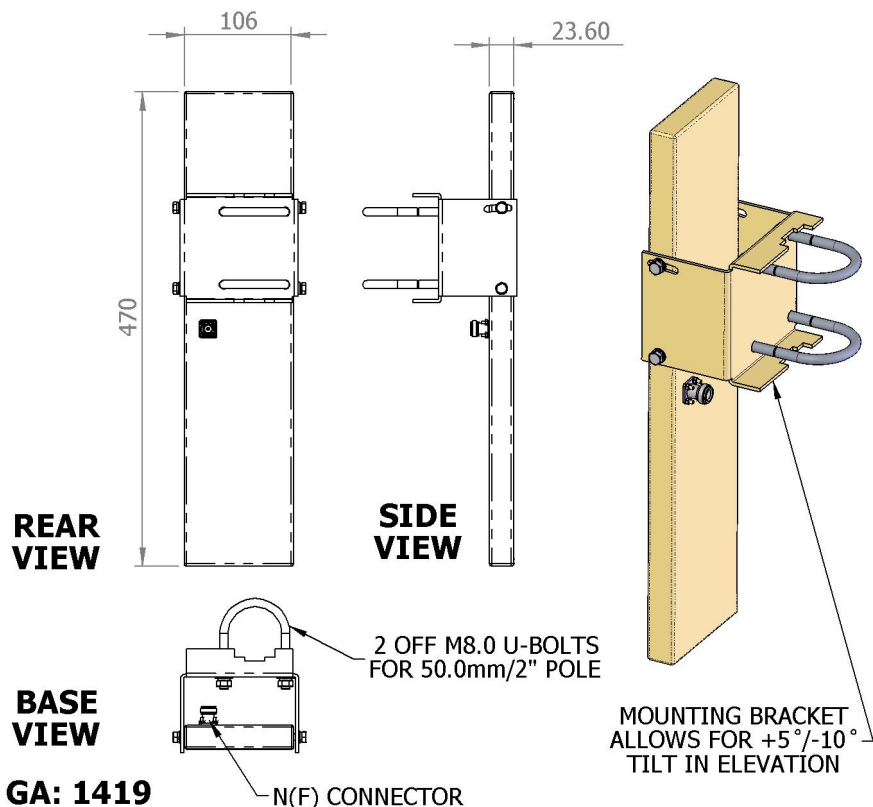
Rugged



Azimuth Pattern



Elevation Pattern



ELECTRICAL

Frequency	4.40 - 5.00 GHz
Gain	17 dBi Typ
Polarisation	Linear (Vertical)
Beamwidth	55° (Az) x 8.5° (El) Approx
Cross Polar	>20 dB Typ
VSWR	2:1 Max, 1.5:1 Typical
Power Rating	10 W
Front to Back	>30 dB

MECHANICAL

Standard Finish	Desert Tan
Mass	1.6 Kg (3.52 lbs inc MK)
Temperature	-40° to +60°C
Wind Loading	8.2 Kg(18.1lbs) @ 100mph

MOUNTING OPTIONS

Kits Available	Included
See separate data sheets	

ADDITIONAL NOTES

Issued 081010

Chelton Limited has a policy of continuous development and stress that the information provided is a guide only and does not constitute an offer or contract or part thereof. Whilst every effort is made to ensure the accuracy of the information contained in this brochure, no responsibility can be accepted for any errors or omissions.

The copyright of antenna designs and images is copyright protected and owned by Chelton Limited.
©Chelton Limited

For further information please contact:

Chelton Limited,
Lambda House, Cheveley,
Newmarket, Suffolk CB8 9RG, UK.
T: +44 (0)1638 732 177
E: newmarket.sales@chelton.com
W: www.chelton.com/microwave