

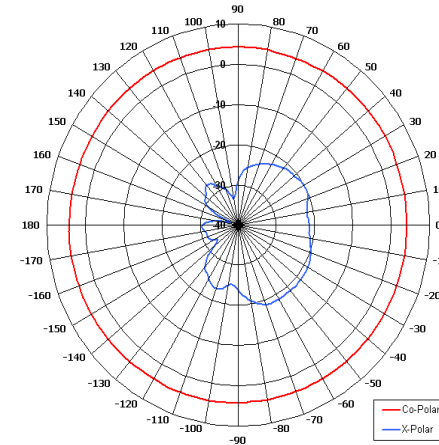
OA4-2.3V/1453

Omni Antenna

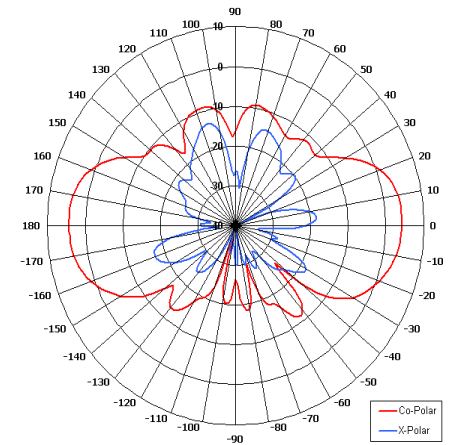


Key Features

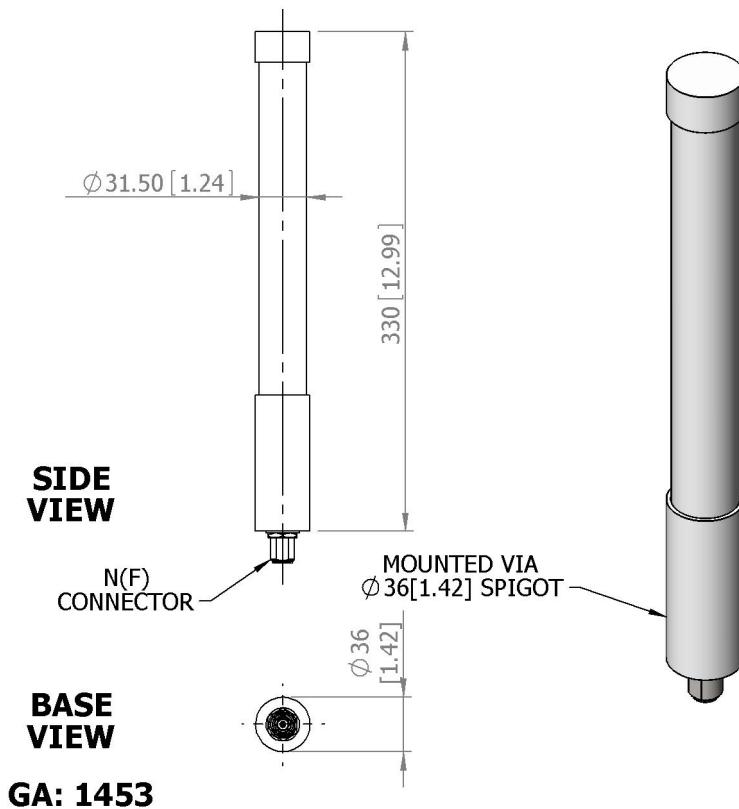
- Designed for WLAN Applications
- Suitable for Multiple Applications
- Vertical Polarisation
- Suitable for Outdoor Applications
- High Power



Azimuth Pattern



Elevation Pattern



ELECTRICAL

Frequency	2.20 - 2.40 GHz
Gain	4 dBi Nom
Polarisation	Linear (Vertical)
Beamwidth	360° (Az) x 40° (El) Approx
Cross Polar	>20 dB
VSWR	1.5:1
Power Rating	50 W
Front to Back	N/A

MECHANICAL

Standard Finish	White
Mass	300 g (10.6 oz)
Temperature	-40° to +60°C
Wind Loading	1.77 Kg(3.9 lbs) @ 100mph

MOUDESIGNING OPTIONS

Kits Available	MK4/A
See separate data sheets	

ADDITIONAL NOTES

Issued 021212

Chelton Limited has a policy of continuous development and stress that the information provided is a guide only and does not constitute an offer or contract or part thereof. Whilst every effort is made to ensure the accuracy of the information contained in this brochure, no responsibility can be accepted for any errors or omissions.

The copyright of antenna designs and images is copyright protected and owned by Chelton Limited.
©Chelton Limited

For further information please contact: Chelton Limited, Lambda House, Cheveley, Newmarket, Suffolk CB8 9RG, UK.
T: +44 (0)1638 732 177
E: newmarket.sales@chelton.com
W: www.chelton.com/microwave