

SA13-60-0.9V/1462

Sector Antenna



Key Features

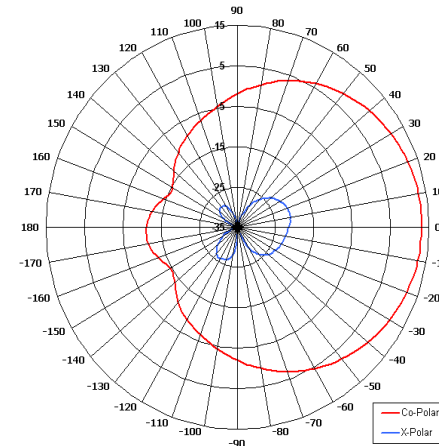
Designed for Military Applications

Suitable for Tactical Comms

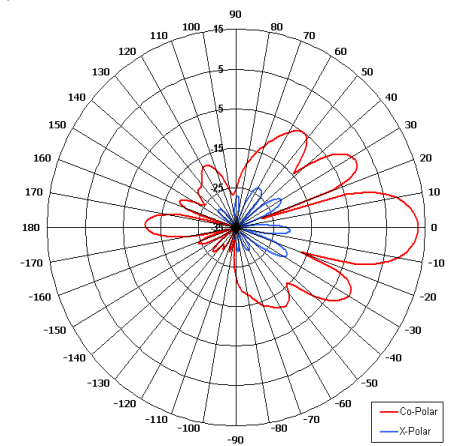
Applications

Low Profile

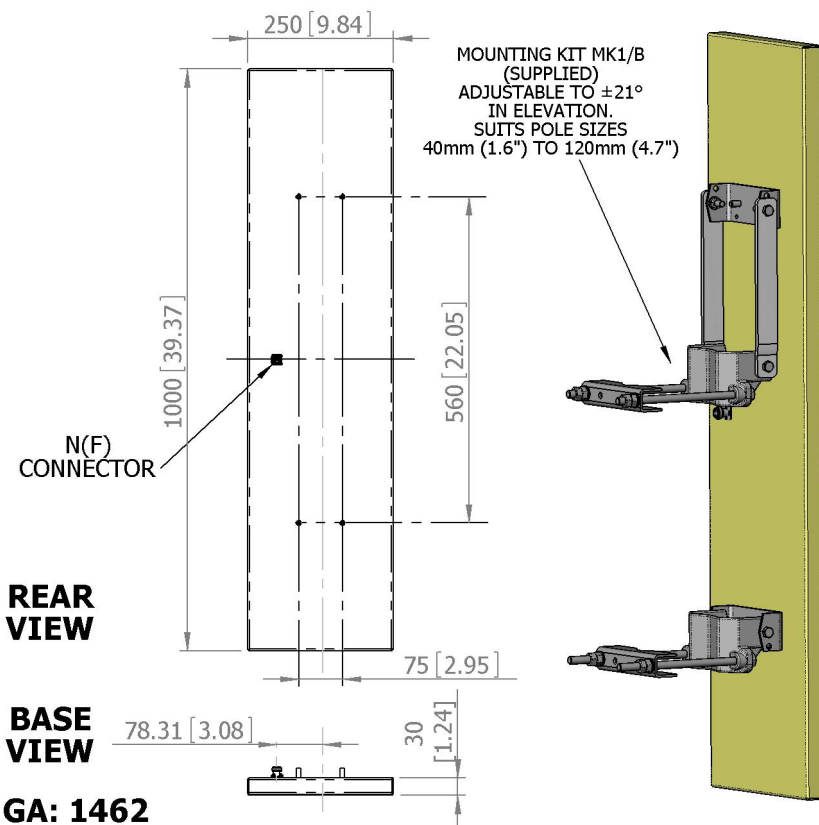
Adjustable Mounting Kit



Azimuth Pattern



Elevation Pattern



ELECTRICAL

Frequency	902 - 928 MHz
Gain	13.0 dBi Typ
Polarisation	Linear (Vertical)
Beamwidth	73° (Az) x 16.5° (El) Approx
Cross Polar	>30 dB
VSWR	2:1 max, >1.5:1 Typical
Power Rating	20W
Front to Back	>22dB

MECHANICAL

Standard Finish	Gloss White Radome
Mass	3.6 Kg (7.92 lbs)
Temperature	-40° to +63°C
Wind Loading	40 Kg (89 lbs) @ 100mph

MOUNTING OPTIONS

Kits available	MK1/B (Supplied)
See separate data sheets	

ADDITIONAL NOTES

Issued 200810

Chelton Limited has a policy of continuous development and stress that the information provided is a guide only and does not constitute an offer or contract or part thereof. Whilst every effort is made to ensure the accuracy of the information contained in this brochure, no responsibility can be accepted for any errors or omissions.

The copyright of antenna designs and images is copyright protected and owned by Chelton Limited.
©Chelton Limited

For further information please contact: Chelton Limited, Lambda House, Cheveley, Newmarket, Suffolk CB8 9RG, UK.
T: +44 (0)1638 732 177
E: newmarket.sales@chelton.com
W: www.chelton.com/microwave