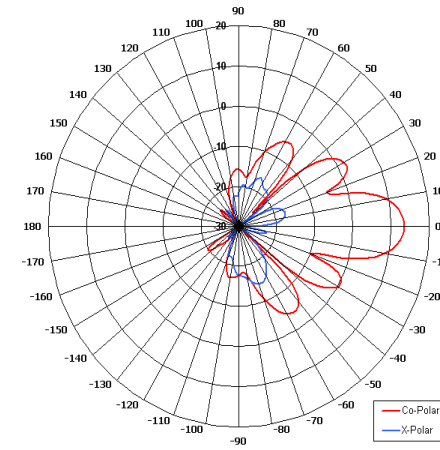


# SA12-60-4.8H/1464

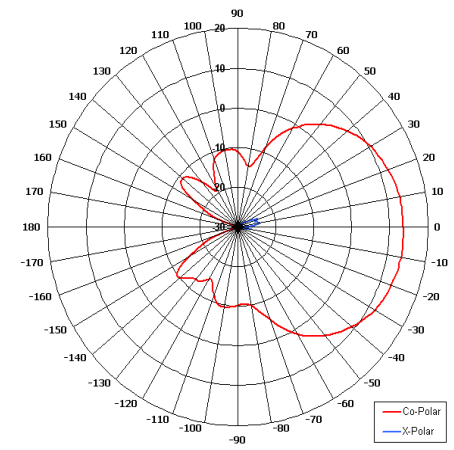
Sector Antenna



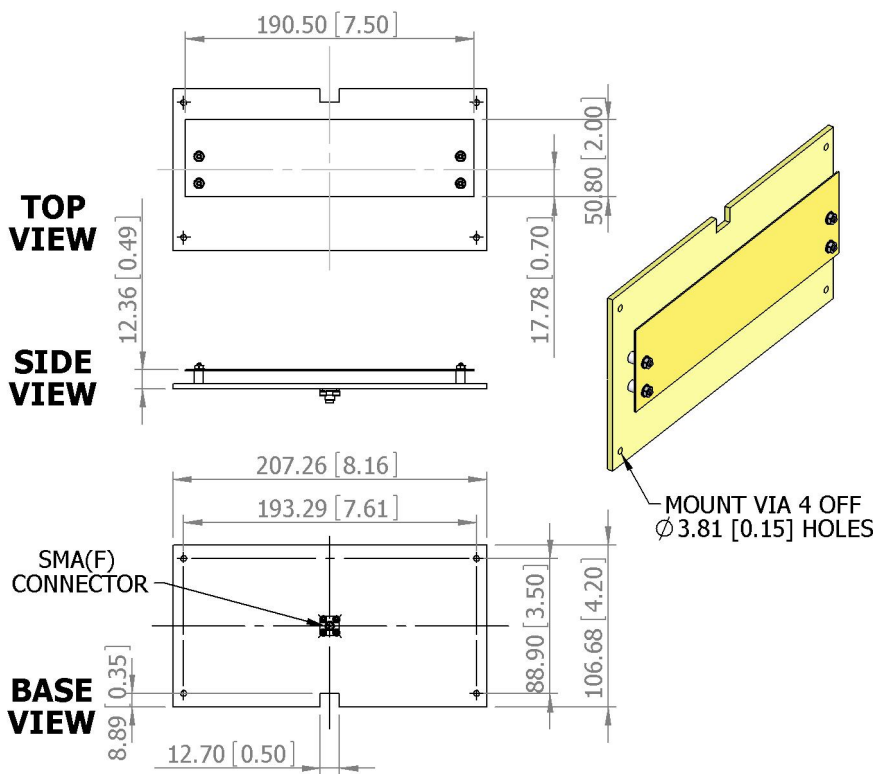
CUSTOMER SPECIFIC



Azimuth Pattern



Elevation Pattern



GA: 1464

## ELECTRICAL

Frequency	4.60 - 5.00 GHz
Gain	13.6 dBi Nom
Polarisation	Horizontal
Beamwidth	17° (Az) x 63° (El) Approx
Cross Polar	>20 dB Typ
VSWR	1.5:1
Power Rating	20 W
Front to Back	>45dB

## MECHANICAL

Standard Finish	Alocrom 1200, Tinned PCB's
Mass	0.225g (7.92 oz)
Temperature	-20° to +55°C
Wind Loading	N/A

## MOUNTING OPTIONS

Kits Available	N/A
See separate data sheets	

## ADDITIONAL NOTES

Issued 200810

Chelton Limited has a policy of continuous development and stress that the information provided is a guide only and does not constitute an offer or contract or part thereof. Whilst every effort is made to ensure the accuracy of the information contained in this brochure, no responsibility can be accepted for any errors or omissions.

The copyright of antenna designs and images is copyright protected and owned by Chelton Limited.  
©Chelton Limited

For further information please contact: Chelton Limited,  
Lambda House, Cheveley,  
Newmarket, Suffolk CB8 9RG, UK.  
T: +44 (0)1638 732 177  
E: newmarket.sales@chelton.com  
W: www.chelton.com/microwave