

XPO2V-1.0-6.0/1512



Omni Antenna

Key Features

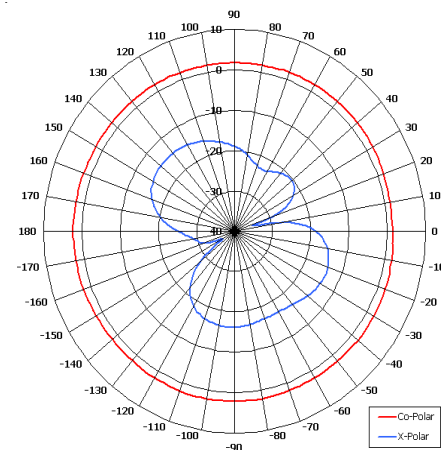
Designed for Security Applications

Suitable for Mobile Applications

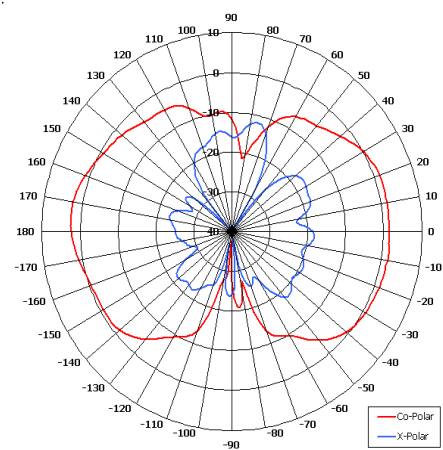
Low Azimuth Ripple

Lightweight Design

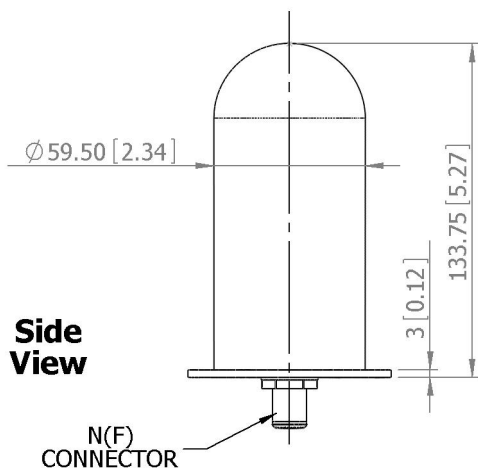
ETSI Class



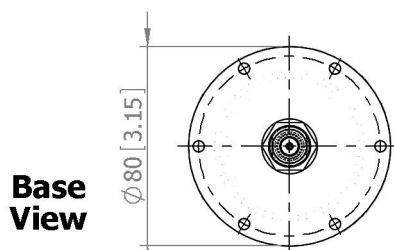
Azimuth Pattern



Elevation Pattern

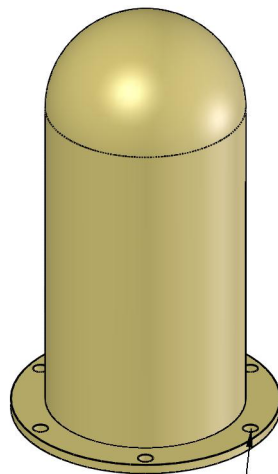


Side View



Base View

GA: 1512



MOUNTED VIA 6 OFF
 $\varnothing 4.50 [0.17]$ HOLES
EQUI-SPACED ON
 $72.0 [2.83]$ PCD.

ELECTRICAL

Frequency	1.00 - 6.00 GHz
Gain	2 dBi Nom
Polarisation	Linear (Vertical)
Beamwidth	360° (Az) x 70° (El) Approx
Cross Polar	15 dB Typ
VSWR	3:1 Max, 2:1 Typ
Power Rating	100W
Front to Back	N/A

MECHANICAL

Standard Finish	Desert Tan (EA 5941)
Mass	190g (6.7 oz) Approx
Temperature	-40° to +70°C
Wind Loading	1.29 Kg (2.83lbs) @ 100mph

MOUNTING OPTIONS

Kits Available	N/A
See separate data sheets	

ADDITIONAL NOTES

Issued 290410

Chelton Limited has a policy of continuous development and stress that the information provided is a guide only and does not constitute an offer or contract or part thereof. Whilst every effort is made to ensure the accuracy of the information contained in this brochure, no responsibility can be accepted for any errors or omissions.

The copyright of antenna designs and images is copyright protected and owned by Chelton Limited.
©Chelton Limited

For further information please contact: Chelton Limited,
Lambda House, Cheveley,
Newmarket, Suffolk CB8 9RG, UK.
T: +44 (0)1638 732 177
E: newmarket.sales@chelton.com
W: www.chelton.com/microwave