

OA6-2.4R/1549

Circular Polarised Omni Antenna



Key Features

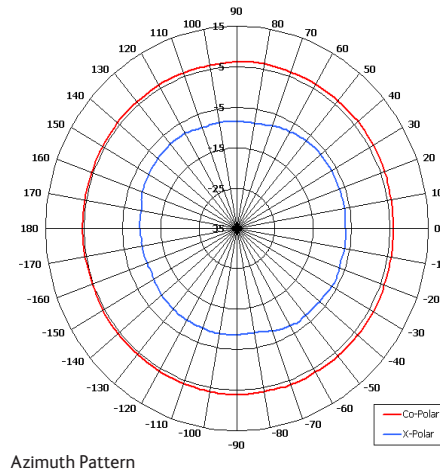
Designed for Broadcast Applications

Low Azimuth Ripple

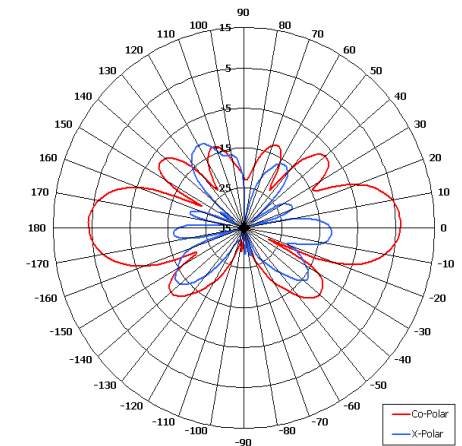
Suitable for Telemetry Applications

Mounting Options Available

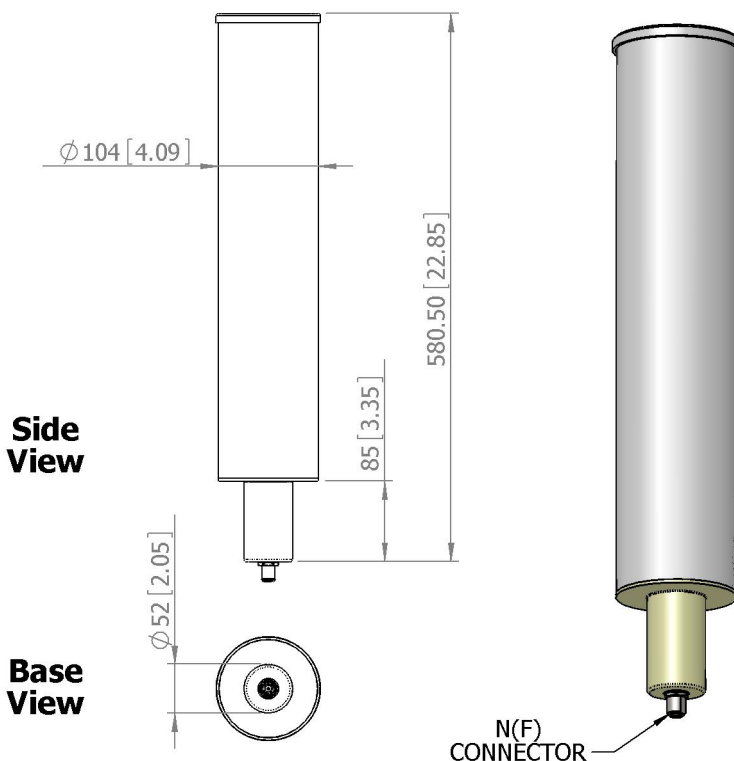
Other Polarisation Available



Azimuth Pattern



Elevation Pattern



GA: 1549

ELECTRICAL

Frequency	2.27 - 2.43 GHz
Gain	6 dBiC Nom
Polarisation	Right Hand Circular
Beamwidth	360° (Az) x 20° (El) Approx
Axial Ratio	3 dB Typ
VSWR	1:5:1 Band Ctr, 2:1 Band Edges
Power Rating	20 W
Front to Back	N/A

MECHANICAL

Standard Finish	Gloss White
Mass	1.12kg/2.464lbs
Temperature	-20° to +50°C
Wind Loading	10.5kg/23lbs @ 100mph

MOUNTING OPTIONS

Kits Available	MK2
See separate data sheets	

ADDITIONAL NOTES

Issued 110310

Chelton Limited has a policy of continuous development and stress that the information provided is a guide only and does not constitute an offer or contract or part thereof. Whilst every effort is made to ensure the accuracy of the information contained in this brochure, no responsibility can be accepted for any errors or omissions.

The copyright of antenna designs and images is copyright protected and owned by Chelton Limited.
©Chelton Limited

For further information please contact: Chelton Limited, Lambda House, Cheveley, Newmarket, Suffolk CB8 9RG, UK.
T: +44 (0)1638 732 177
E: newmarket.sales@chelton.com
W: www.chelton.com/microwave