

# HOA2-159L-GPS/1577

Hemi Omni Antenna



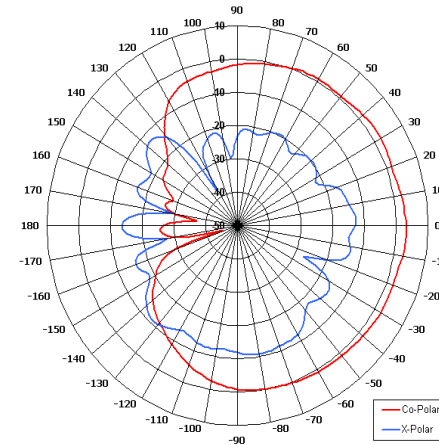
## Key Features

Designed for satellite applications

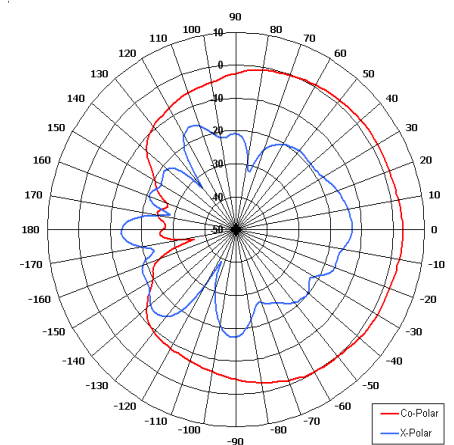
Suitable for Thuraya satellite network

Suitable for mobile satcomms

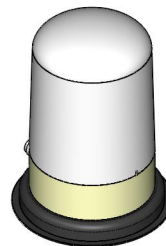
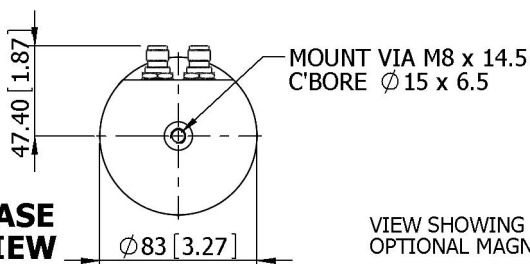
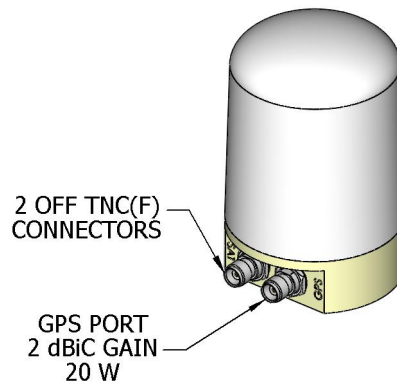
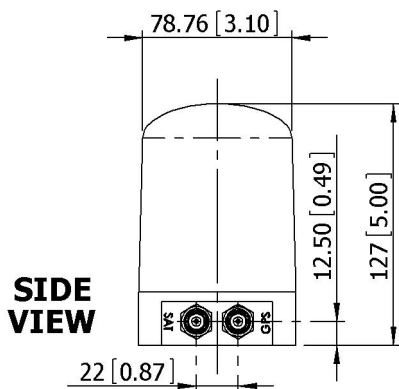
Integrated passive GPS antenna



Azimuth Pattern



Elevation Pattern



VIEW SHOWING OPTIONAL MAGNETIC MOUNTING KIT

NOTE: THE INSTALLATION OF THIS KIT ON MOVING VEHICLES IS AT THE USERS RISK, AS EUROPEAN ANTENNAS CANNOT BE RESPONSIBLE FOR THE MOUNTING ENVIRONMENT.

**GA: 1577**

### ELECTRICAL (Satellite)

Frequency	1.525 - 1.6605 GHz
Gain	2 dBiC Nom
Polarisation	Left Hand Circular
Beamwidth	360° (Az) x 150° (El) Approx
Axial Ratio	3.0 dB Typ
VSWR	2:1
Power Rating	20W
Front to Back	N/A

### MECHANICAL

Standard Finish	White Plastic Radome
Mass	400g/0.88 lbs Approx
Temperature	-40° to +70°C
Wind Loading	1.3kg/2.96 lbs @ 100mph

### MOUNTING OPTIONS

Kits Available	047A
See separate data sheets	

### ADDITIONAL NOTES

Issued 180310

Chelton Limited has a policy of continuous development and stress that the information provided is a guide only and does not constitute an offer or contract or part thereof. Whilst every effort is made to ensure the accuracy of the information contained in this brochure, no responsibility can be accepted for any errors or omissions.

The copyright of antenna designs and images is copyright protected and owned by Chelton Limited.  
©Chelton Limited

For further information please contact: Chelton Limited,  
Lambda House, Cheveley,  
Newmarket, Suffolk CB8 9RG, UK.  
T: +44 (0)1638 732 177  
E: newmarket.sales@chelton.com  
W: www.chelton.com/microwave