

OA8-4.7V/1592

Omni Antenna



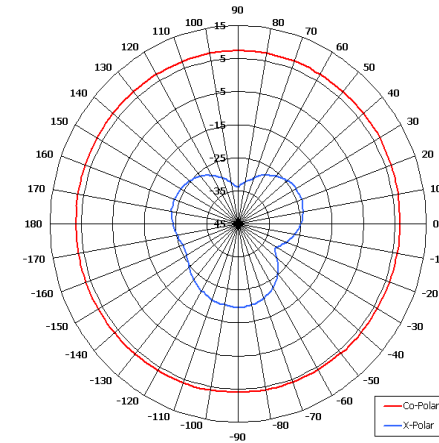
Key Features

Designed for Security Applications

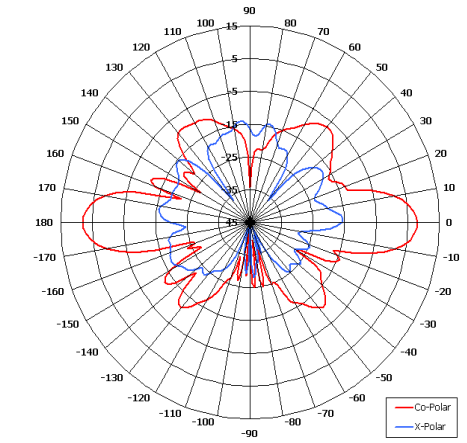
Suitable for Mobile Applications

Rugged

Colour Options

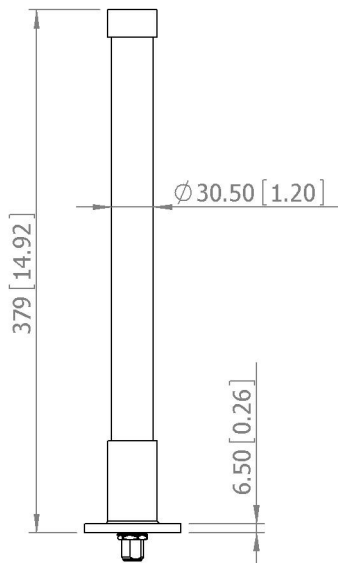


Azimuth Pattern



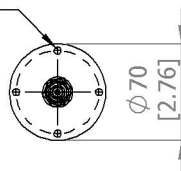
Elevation Pattern

Side View

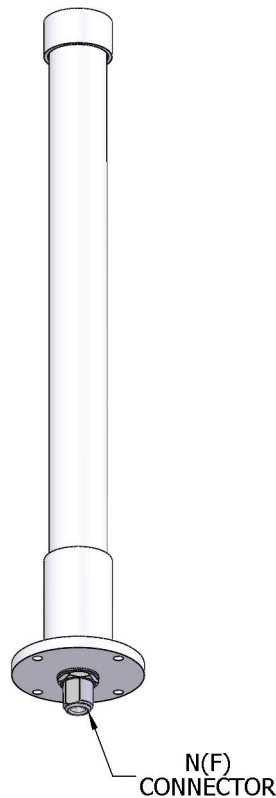


Base View

MOUNTED VIA
4 OFF ϕ 5.2[0.2] HOLES
ON 60.3[2.37] PCD



GA: 1592



N(F)
CONNECTOR

ELECTRICAL

Frequency	4.4 - 5.0 GHz
Gain	7.5 dBi Nom
Polarisation	Linear (Vertical)
Beamwidth	360° (Az) x 17° (El) Approx
Cross Polar	>20 dB Typ
VSWR	2:1 typical, 1.5:1 Typ
Power Rating	50W
Front to Back	N/A

MECHANICAL

Standard Finish	Gloss White
Mass	274g/0.6lbs
Temperature	-40° to +60°C
Wind Loading	2.0kg(4.4lbs) at 100mph

MOUNTING OPTIONS

Kits Available	N/A
See separate data sheets	

ADDITIONAL NOTES

Issued 290610

Chelton Limited has a policy of continuous development and stress that the information provided is a guide only and does not constitute an offer or contract or part thereof. Whilst every effort is made to ensure the accuracy of the information contained in this brochure, no responsibility can be accepted for any errors or omissions.

The copyright of antenna designs and images is copyright protected and owned by Chelton Limited.
©Chelton Limited

For further information please contact: Chelton Limited, Lambda House, Cheveley, Newmarket, Suffolk CB8 9RG, UK.
T: +44 (0)1638 732 177
E: newmarket.sales@chelton.com
W: www.chelton.com/microwave