

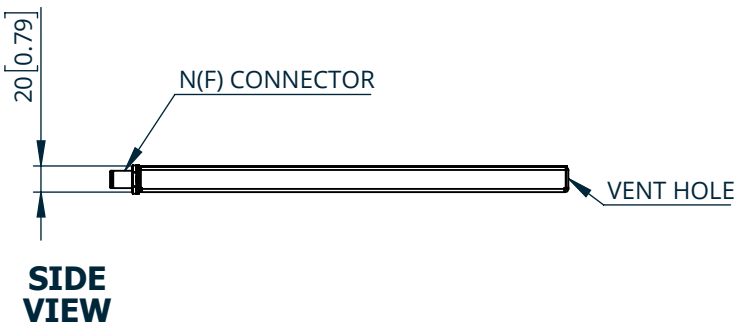
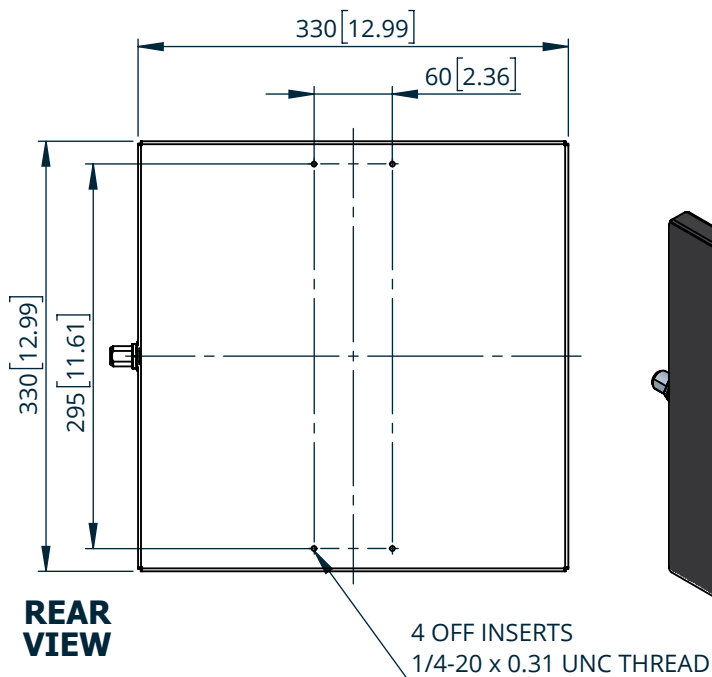
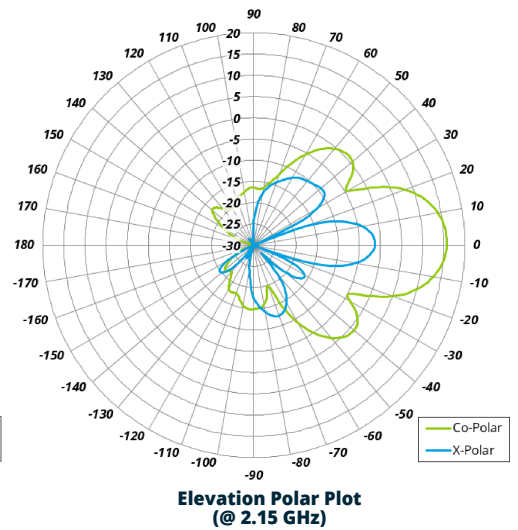
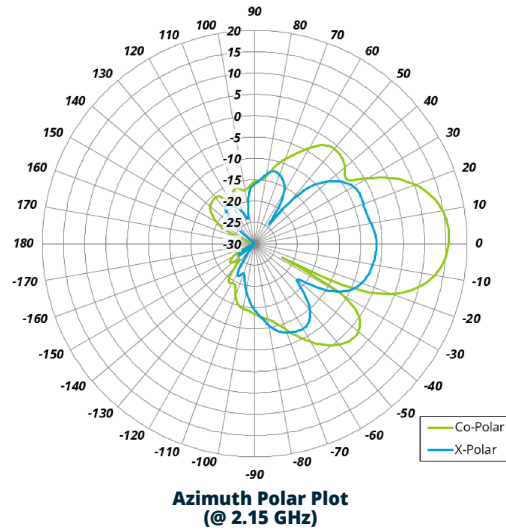
FPA16-2.2L/1305

Directional Antenna

Key Features:

Designed for tactical comms applications

Rugged low profile design



ELECTRICAL

Frequency:	2.10 to 2.30 GHz
Gain:	16 dBIC Typ.
Polarisation:	Left hand circular
Beamwidth:	24° x 25° Typ.
Axial Ratio:	<3 dB Typ.
VSWR:	2:1 Max, 1.5:1 Typ.
Power Rating:	24 W
Front to Back:	>35 dB Typ.

MECHANICAL

Standard Finish:	Black
Mass:	1.0 Kg / 2.2 lbs
Temperature:	-40 to +71°C
Wind Loading:	176 N @ 100 mph

Full radiation patterns and CAD available on request

DS: 1305-2

Issued: 230222