

OA2-0.15-0.60V/1663



Omni Antenna

Key Features

Designed for Electronic Warfare

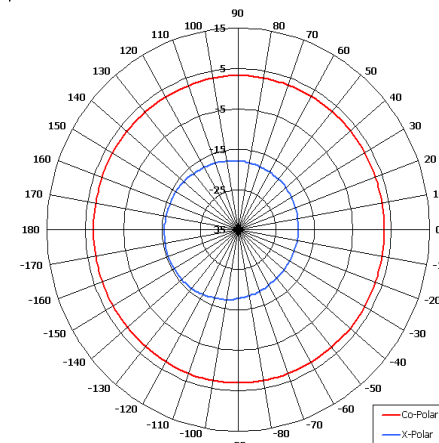
Applications

High Power

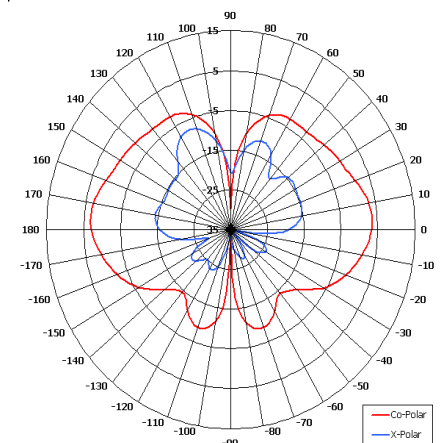
Wide Band

Low Azimuth Ripple

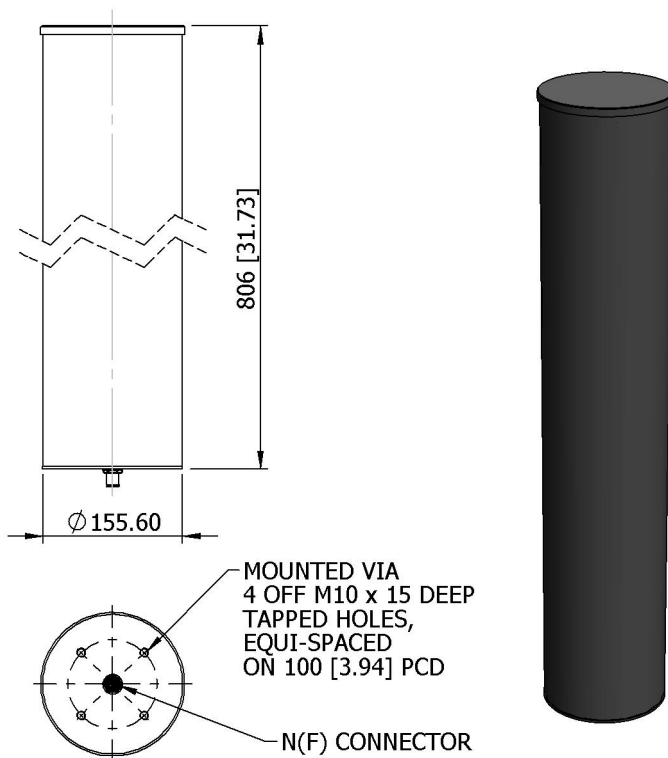
Rugged



Azimuth Pattern



Elevation Pattern



SIDE VIEW

BASE VIEW

GA: 1663

ELECTRICAL

Frequency	150 - 600 MHz
Gain	2 dBi Nom
Polarisation	Linear (Vertical)
Beamwidth	360° (Az) x 80° (El) Approx
VSWR	2.5:1 Max, 2:1 Typ
Power Rating	250 W

MECHANICAL

Standard Finish	Matt Black
Mass	4.2 Kg (9.24 lbs)
Temperature	-20° to +50°C
Wind Loading	20.3Kg (44.6 lbs) @100mph

MOUNTING OPTIONS

Kits Available	N/A
See separate data sheets	

ADDITIONAL NOTES

Issued 060510

Chelton Limited has a policy of continuous development and stress that the information provided is a guide only and does not constitute an offer or contract or part thereof. Whilst every effort is made to ensure the accuracy of the information contained in this brochure, no responsibility can be accepted for any errors or omissions.

The copyright of antenna designs and images is copyright protected and owned by Chelton Limited.
©Chelton Limited