

# OA-0.4-6.0V/2090

Ultra Wideband Omni Directional Antenna



## Provisional Specification

The most important thing we build is trust.

High Power

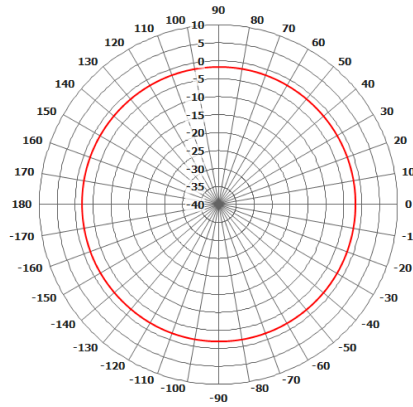
PMR, Tetra, Cellular, WiFi and LTE

Low Ripple Omni Pattern

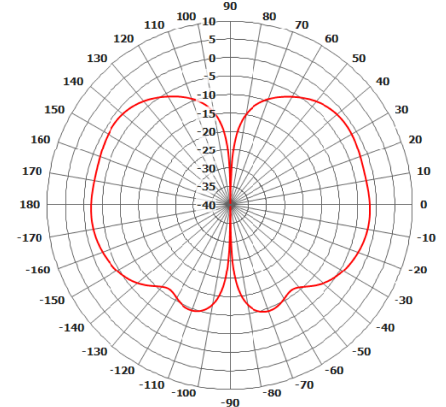
Can be Ceiling or Vehicle Mounted

Does Not Require a Separate Ground Plane

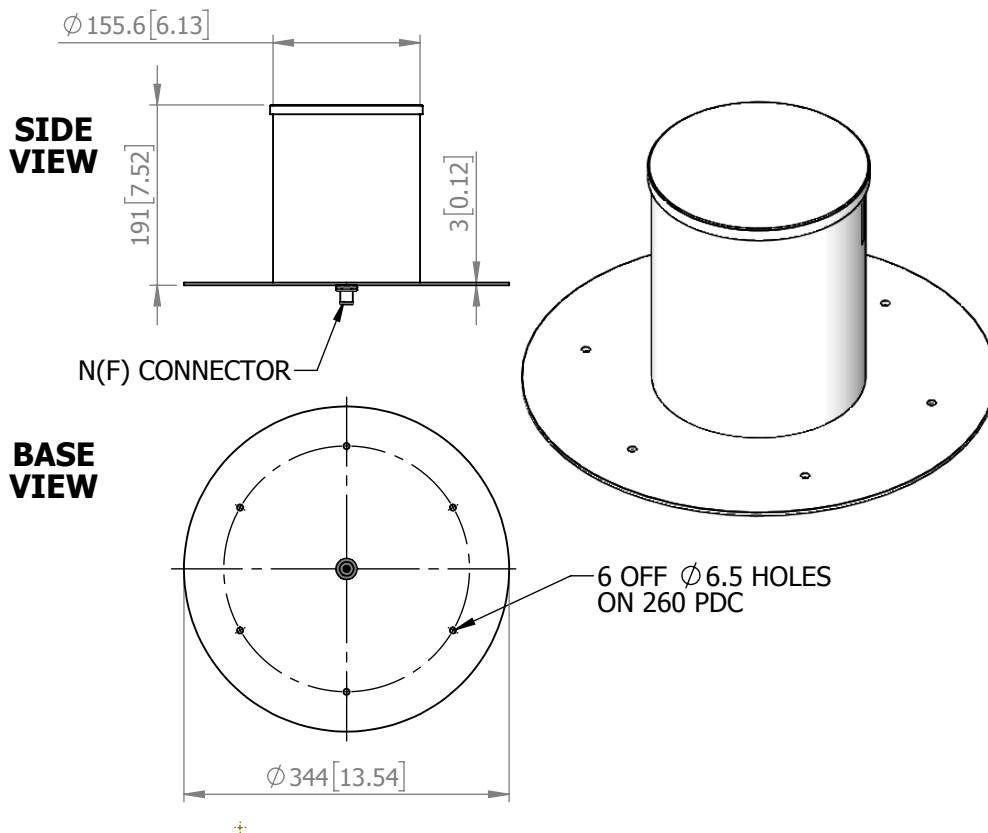
Very Rugged, Glass Fibre Radome



Azimuth Polar Plot  
(On Horizon)



Elevation Polar Plot



### ELECTRICAL

Frequency:	0.38 - 6.0 GHz
Gain:	-1 to +5° dBi Peak
Polarisation:	Linear (Vertical)
Beamwidth:	360° (Az) x 70° (El) Approx.
VSWR:	3:1 Max. <2:1 Typ.
Power Rating:	100 W

### MECHANICAL

Standard Finish:	White
Mass:	2.5 Kg / 5.51 lbs Approx
Operating Temp:	-40° to +55°C
Storage Temp:	-40° to +71°C
Wind Loading:	4.9 Kg / 10.8 lbs @ 100 mph

### MOUNTING OPTIONS

Kits Available:	N/A
-----------------	-----

GA: 2090-D Issued: 240417  
Dimensions: mm [inches] L

Chelton Limited trading as Cobham Antenna Systems, Microwave Antennas

Chelton Limited has a policy of continuous development and stress that the information provided is a guide only and does not constitute an offer or contract or part thereof. Whilst every effort is made to ensure the accuracy of the information contained in this Data Sheet, no responsibility can be accepted for any errors or omissions.

The copyright of antenna designs and images is copyright protected and owned by Chelton Limited.  
©Chelton Limited.

For further information please contact:

Cobham Antenna Systems, Microwave Antennas

Lambda House, Cheveley,  
Newmarket, Suffolk. CB8 9RG, UK

Tel +44 (0) 1638 732177

Fax +44 (0) 1638 731999

Email [newmarket.sales@cobham.com](mailto:newmarket.sales@cobham.com)